

Universal pulse generator UZR 31

SPECIAL FEATURES:

- Adjustable number of generated pulses
- Time adjustable from 0.1s to 100h
- Precise time setting by 10 selectable time ranges and infinitely variable rotary control
- Output contact potential-free (changeover)
- High contact load capacity (up to 16A)
- Wide input voltage range 10-250V

GENERAL:

The UZR 31 pulse generator generates a number of pulses (selectable from 1-8, 10 and infinite). The pulse duration is adjustable from 0.5s to 120s, and the interval (spacing) is adjustable from 0.1s to 100h.

When using this pulse generator with e.g. a roller shutter control, the roller shutter can be closed in several steps instead of a single operation.

When the supply voltage is applied, the device starts with either a pulse or a space, as selected.

Due to the wide supply voltage range of 10 to 250V UC, the UZR 31 is universally applicable.

APPLICATION:

Building automation, industrial control systems, solar systems, automotive systems etc.

OPERATION:

After the supply voltage is applied at A1 and A2, the UZR 31 pulse generator generates a clock signal (the relay is energized during the pulse time T_p and remains off during the interpulse "space" T_s etc.). As soon as the preset number of pulses is attained, the relay stops. If input B1 is open, the relay starts with a pulse. If B1 is bridged with A1, the relay starts with a "space"

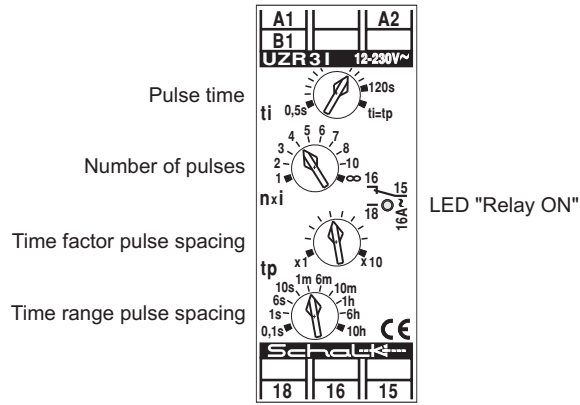
TECHNICAL DATA:

Operating voltage	10 to 250V UC
Power consumption	1W
Adjustable time ranges	0.5s to 120s pulse 0.1s to 100h pulse spacing
Relay output	1 changeover contact, potential-free
Relay contact	16A 250V AC
Contact load capacity	see annex "Load capacity of the relay contacts"
Ambient temperature	-10°C to +45°C
Interference immunity	compliant IEC 801-4 level 4
Equipment protection	compliant IEC 801-5 level 3
Creepage / clearance	compliant VDE 0110 Gr. C/250V
Insulated housing	flameproof to VDE 0304 part 3, level FV 0
Connections	socket terminals with captive screws M3.5
Installation position	freely selectable
Fixing	clip fastening on 35 mm standard rail DIN EN 50022
External dimensions	18x88(45)x58mm
Installation depth	55 mm
Weight	approx 80g
Colour (RAL)	grey 7035 / green 6029

ORDERING INFORMATION:

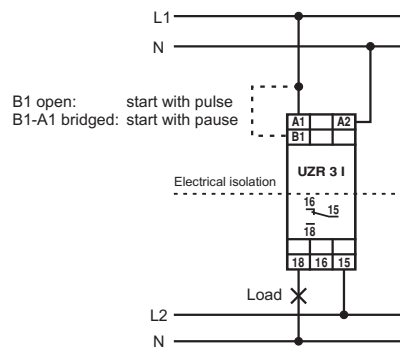
Part No.	Type	Description
uzr3iu	UZR 31	Universal pulse generator

UZR 3 I CONTROLS:



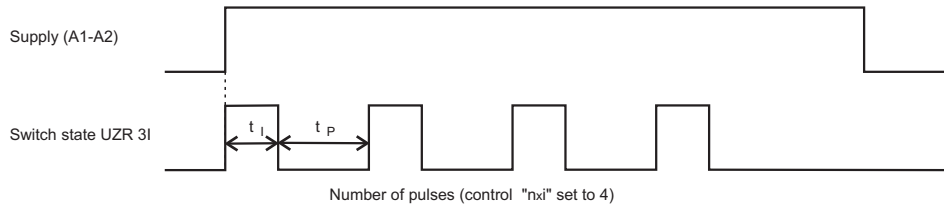
EXAMPLE CONNECTION:

Operating voltage: 10 - 250V AC or DC



FUNCTION DIAGRAMS:

Pulse generator with pulse-start (B1 open)



Pulse generator with pause-start (B1 - A1 bridged)

