



Universal light timer switch DALI with integrated power supply

UZS 3 DALI (rail-mounted version)

UZS U3 DALI (flush-mounted version)

With optional adjustable warning light phase for safety staircase light timer function. Integrated power supply for DALI bus supply, DALI-2 certified, single master (broadcast mode). Suitable for light sources with dimmable DALI ballast.

Special features

- ▶ DALI-2 certified single-master control device
- ▶ integrated DALI power supply (maximum 70mA) for powering up to 35 DALI control gear units
- ▶ can be used independently of the installed switch series
- ▶ for broadcast operation (central telegram)
- ▶ no DALI programming tool required
- ▶ 3 operating modes:
 - short runtime only
 - short and long runtime
 - long runtime only
- ▶ optional with dimming or pulsing warning light
- ▶ central on/off switch for UZS3. ZE and ZA potential-free (e.g. for control by motion sensor etc.)
- ▶ Can be switched off at any time via light switch

General information

As a modern light timer switch, the UZS U3 or UZS 3 offers a high degree of comfort, safety, and flexibility. By briefly or longer pressing the light switch (at B1 or Z1), you can choose between two independently adjustable time ranges for which the light should remain switched on. Pressing the button again turns the light off.

The optional warning light function prevents sudden and unexpected switching off of the lighting (e.g. in stairwells). During the warning light phase, the next button can be easily reached to restart the running time.

Functional description

The short/long runtime adjusters can be used to select between the following 4 operating modes:

Short and long runtime

Runtime set using the short and long-term adjusters.

- ▶ Switching from short term to long term is done by pressing and holding B1 (approx. 2 seconds)

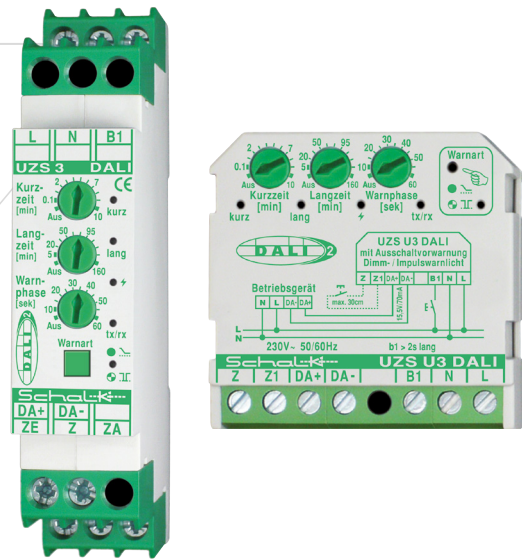
Short runtime only

Runtime is set using the short-term adjuster. The long-term adjuster is set to OFF (AUS).

- ▶ Runtime can be set from 0.1 to 10 minutes

Long runtime only

Runtime is set using the long-term adjuster. The short-term adjuster is set to OFF (AUS).



- ▶ Runtime can be set from 5 to 160 minutes

No runtime (∞)

If all adjusters (short-term, long-term, warning phase) are set to "OFF" (AUS), the runtime is infinite.

- ▶ Normal switch operation (Pulse/current surge switch operation)

Via the group inputs ZE (central ON) and ZA (central OFF) on the UZS 3 (rail-mounted), any number of UZS 3 can be switched on or off simultaneously, regardless of their respective status. Both inputs (ZE and ZA) react to positive edges and can therefore be overridden by B1 during the entire switching duration (e.g. as a motion detector input).

Additional functions

Warning phase

A warning phase can be activated with the adjuster if desired. Duration of the warning light phase: 10 to 60 seconds.

Warning type

Pressing the programming button briefly allows you to switch between pulsing and dimming warning lights.

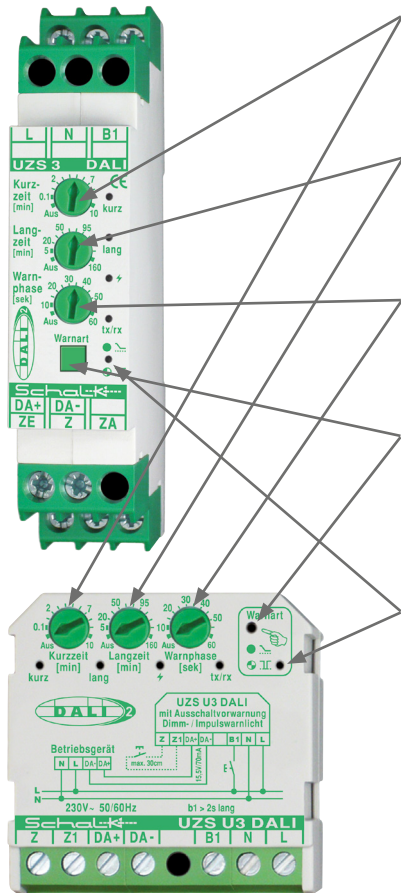
Pulsing warning light

During the warning period, the lighting flickers every 5 seconds (approx. 0.5 seconds).

Dimming warning light

During the warning period, the lighting is dimmed to approx. 25% of its maximum brightness.

Controls and indicators



Adjuster for short runtime („Kurzzeit“):
Adjustment range: OFF (AUS) (=deactivated) or 0.1-10 min (=activated)

Adjuster for long runtime („Langzeit“):
Adjustment range: OFF (AUS) (=deactivated) or 5-160 min (=activated)

Adjuster for warning duration („Warnphase“):
Adjustment range: OFF (AUS) (=deactivated) or 10-60s (=activated)

Programming button for warning light („Warnart“):
A short press of the button switches between dimming and pulsing warning lights

LED's:
Short runtime LED („kurz“):
LED flashes green when short runtime is active or lights up red when warning time is active.

Long runtime LED („lang“):
LED flashes green when long runtime is active or lights up red when warning time is active.

Status LED („⚡“):
Signals an error state on the DALI BUS.
LED flashes > undervoltage; LED lights up > overvoltage.

Transmit LED („tx/rx“):
The LED lights up while the UZS U3 (UZS 3) sends or receives DALI protocols on the DALI bus. In addition, this LED indicates the mode change on the potentiometers.

Warning phase LED („●, ⊕“):
LED lit > dimming warning light activated
LED flashing > pulse warning light activated
LED off > no warning phase

LED status indicator



Legend:

- LED off
- LED lights up red
- ⊕ LED flashes red
- LED lights up green
- ⊕ LED flashes green
- ⊕ LED flashes alternately red/green

| LED Status Indicator | | | | | Description |
|----------------------|------|---|-------|---|--|
| kurz | lang | ⚡ | tx/rx | W | |
| ○ | ○ | ⊕ | ○ | ○ | DALI bus overloaded (<12V) - no operation possible! (additional power supply required) |
| ○ | ○ | ● | ○ | ○ | Overvoltage on the DALI bus (>22V) - no operation possible! |
| ⊕ | ○ | ○ | ○ | ● | Short runtime active |
| ○ | ⊕ | ○ | ○ | ● | Long runtime active |
| ● | ○ | ○ | ○ | ● | Dimming warning light active |
| ○ | ● | ○ | ○ | ● | Dimming warning light active |
| ● | ○ | ○ | ○ | ⊕ | Pulse warning light active |
| ○ | ● | ○ | ○ | ⊕ | Pulse warning light active |
| ● | ● | ○ | ● | ● | Dimming warning light activated |
| ● | ● | ○ | ● | ⊕ | Pulse warning light activated |
| ● | ⊕ | ○ | ● | ○ | No runtime (infinite) |

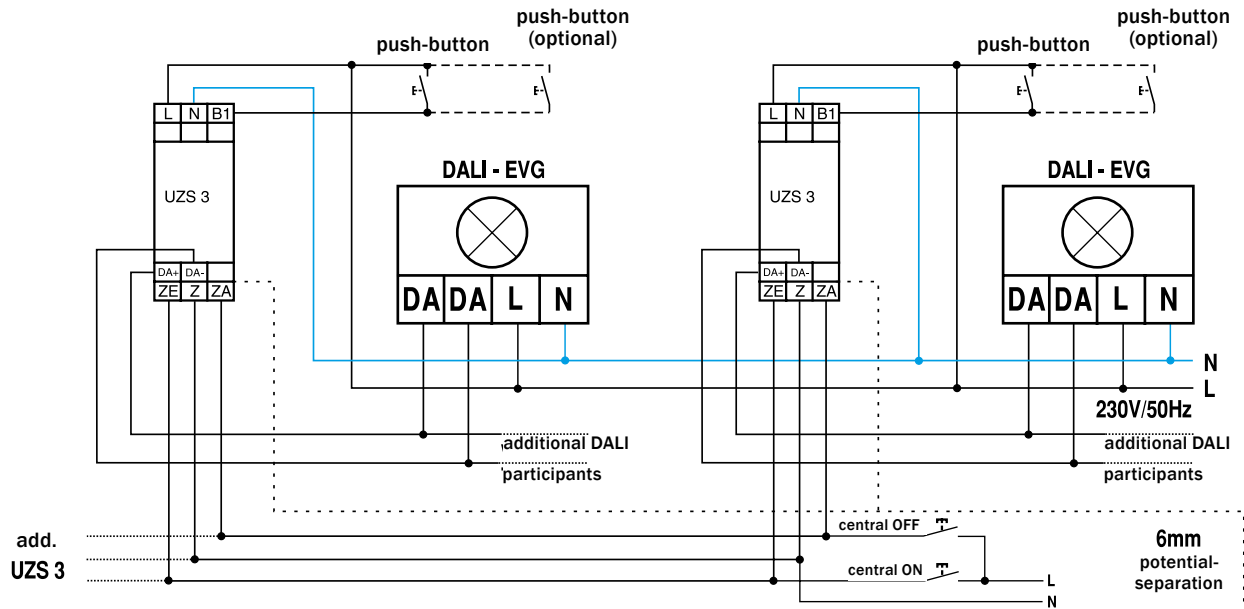
Connection examples

Standard connection:

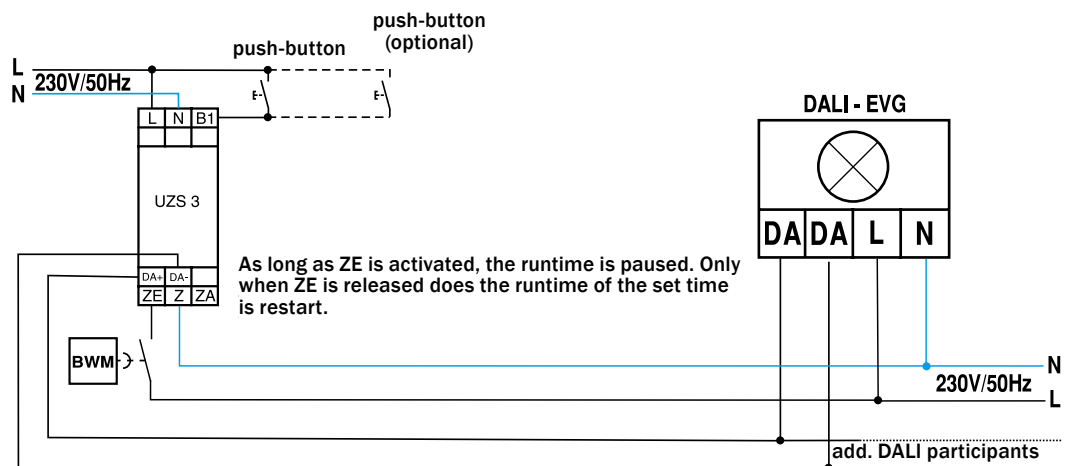
The UZS U3 DALI / UZS 3 DALI universal light timer switch is operated via the B1 pushbutton input as standard. The Z inputs can also be used, preferably with short control/pushbutton cables.

UZS 3 DALI:

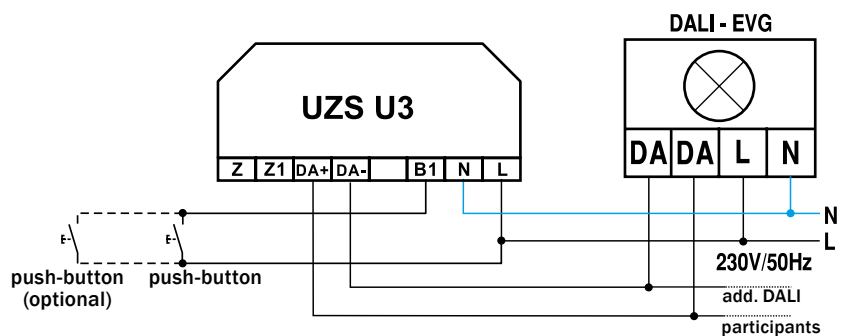
Both inputs ZE and ZA respond to positive edges and can therefore be overridden during the entire switching period.



UZS 3 DALI in combination with a motion sensor (BWM):

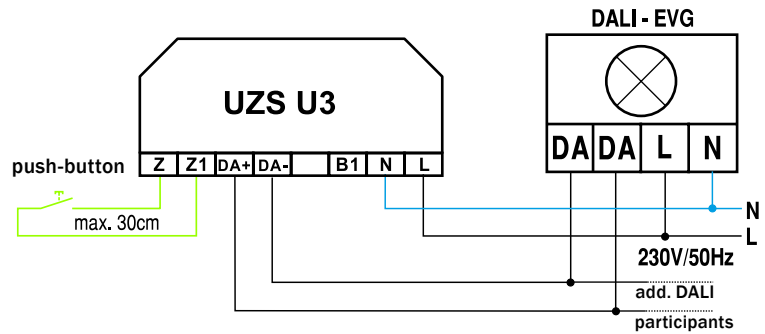


UZS U3 DALI:



Connection example optional:

Input Z1 (only applies to UZS U3) is galvanically isolated and is operated with a potential-free push button. This input has the same function as B1 and is well suited if the control unit is installed in the flush-mounted box directly behind the push button.



Info

The UZS 3 DALI and UZS U3 DALI respectively is a single master application controller and cannot be combined with control units from other manufacturers! One device is able to supply up to 35 DALI devices (2mA each).

Technical data

| | UZS U3 DALI (FMD) | UZS 3 DALI (RMD) |
|---|---|--|
| Operating voltage | 230 V 50/60 Hz 10 % | |
| DALI interface | 15.5 V, 70 mA typ., DA+ / DA- | |
| Start-up | 1ms | |
| Current consumption | 3 mA (max. 3,5mA) | |
| Inputs | B1 (230V AC = operating voltage, against N) Z1 (potential-free, against Z) | B1 (230V AC = operating voltage, against N) ZE and ZA potential seperated, controllable with 230V |
| Number of possible DALI operating devices | max. 35 | |
| Ambient temperature | -10°C to +45°C | |
| Insulation | Basic insulation 3mm according to IEC 60928 | |
| Connection terminals | Socket terminals with captive screws M3 | Socket terminals with captive screws M3.5 |
| Clamping range | 0.5 mm ² - 2.5 mm ² | 0.5 mm ² - 4.0 mm ² |
| Strip length | 6.5 mm - 7.0 mm | 6.0 mm - 6.5 mm |
| Screwing torque | 0.50 Nm | 0.80 Nm |
| Mounting orientation | As wished | Click-mount on standard 35-mm rail (EN 60715) |
| External dimensions | 43 x 43 x 18.5 mm ³ | 18 x 88 (45) x 58 mm ³ |
| Weight | 35 g | 67g |
| RAL colour | grey 7035 / green 6029 | |

Order data

| Art.-Nr. | EAN | Type | Artikelbezeichnung |
|----------|-----------------|-------------|--|
| UZSU3D9 | 4 046929 201162 | UZS U3 DALI | Universal Light Timer Switch DALI (230V AC, FMD) with integr. power supply |
| UZS3D9 | 4 046929 201155 | UZS 3 DALI | Universal Light Timer Switch DALI (230V AC) with integr. power supply |

01/09/2025