



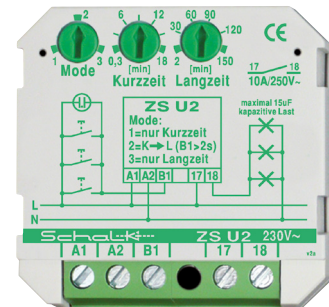
Light timer pulse switch ZS U2

for installation in switch or junction boxes

Flush-mounting pulse switch (pulse current switch) with running time setting and convenient long-term switching via light switch for lighting control.

Special features

- ▶ small installation dimensions
- ▶ very low power consumption
- ▶ 2 running times separately adjustable
- ▶ long-term switch-over via light switch
- ▶ 3 operating modes:
 - short term only
 - short- / long-term
 - long-term only
- ▶ can be switched off at any time via light switch
- ▶ potential-free 10 A switching contact



General information

The ZS U2 combines a high degree of comfort, flexibility and functionality with simple handling and operation.

By pressing the light button for a short or longer time, you can choose between two individually adjustable running times at any time.

This enables individually configurable short-term / long-term switching within a range of 0.25 to 150 minutes.

The consumers can also be switched off directly at any time by pressing the light button again.
If required, the short-term / long-term switching can also be deactivated by means of adjustable operating modes.
Thanks to its small installation dimensions, the ZS U2 can be installed in switch boxes behind a conventional push-button and is therefore particularly well suited for renovating old buildings.

Applications

Briefly frequented rooms, e.g. staircase, garage, storage rooms, yard area, general push-button-controlled lighting technology etc.

Operation

Use the Mode rotary switch to select one of the following 3 operating modes:

Mode 1 = short-term only

Running time adjustable from 0.25 to 18 minutes

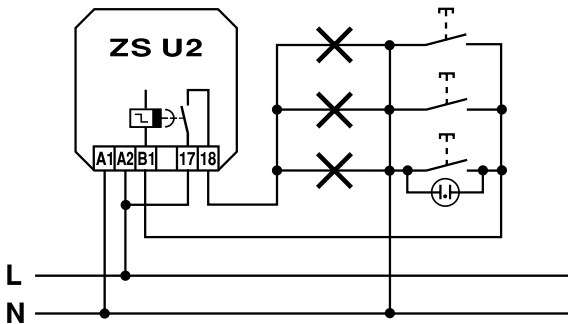
Mode 2 = Short- or long-term switchable

Switching-over from short-term to long-term by pressing B1 for a longer time (approx. 2 seconds)

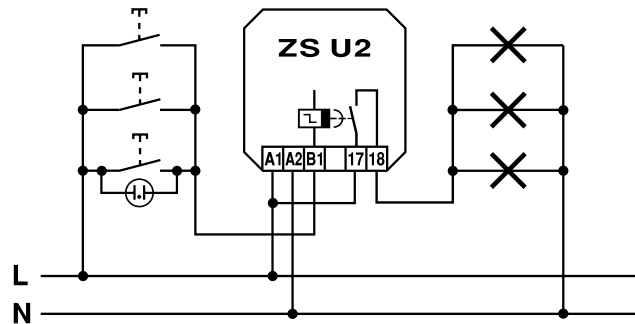
Mode 3 = long-term only

Running time adjustable from 2 to 150 minutes

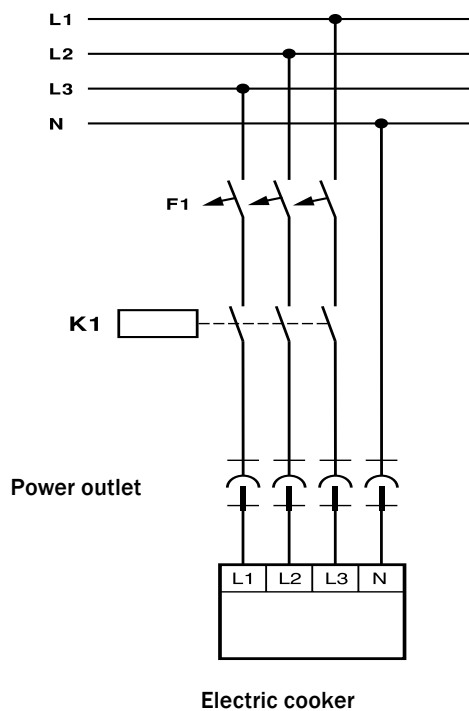
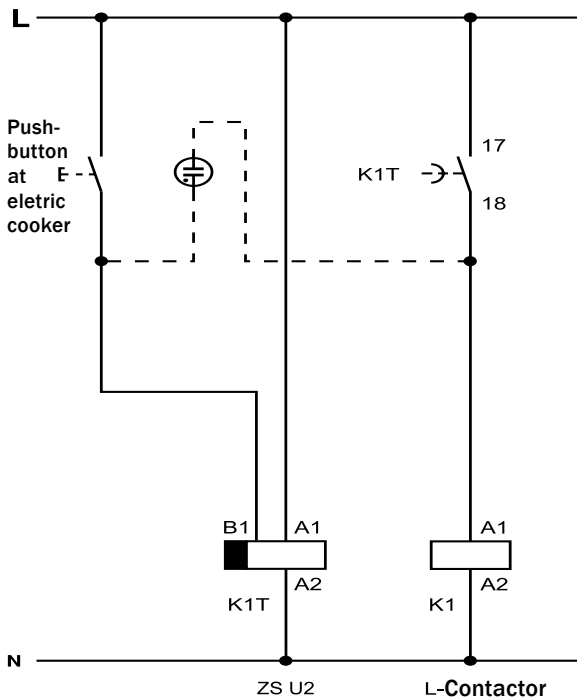
ZS U2 connection examples



3-wire connection



4-wire connection



Switching off a three-phase current cable by means of light timer pulse switch ZS U2

For short energy requirements (e.g. 15 minutes), press the button briefly. If the consumer (electric cooker etc.) is used for a longer period of time, the button must be pressed for more than 2 seconds, so that the ZS U2 switches to long-term operation and remains switched on for up to 2.5 hours. It can also be switched off again at any time during long-term operation. The power line is therefore only live when energy is really needed.

Applications:

In apartments for the elderly, outdoor sockets, etc.

Function ZS U2

Button press	Run time
<2s	0.25 - 18 min
>2s	2 - 150 min
2nd time	Off

Technical data

Operating voltage:	230 V 50 / 60 Hz 10 %
Power consumption:	approx. 0.35 W
max. glow lamp load	approx. 10 mA
max. line capacitance	approx. 50 nF
Relay contact	NO contact 250 V AC / 10 A (potential-free with 8 mm clearance and creepage distance)
Switch rating	see data sheet: "Relay contact rating"
Ambient temperature	-10°C to +45°C
Connection terminals	Socket terminals with captive screws M3
Clamping range	0.5 mm ² - 2.5 mm ²
Strip length	6.5 mm - 7.0 mm
Screwing torque	0.50 Nm
Mounting orientation	arbitrarily
External dimensions	43 x 43 x 18,5 mm
Weight	approx. 40 g
RAL colour	grey 7035 / green 6029

Order data

Item no.	EAN	Type	Designation
ZSU209	 4 046929 201049	ZS U2	Light timer pulse switch for 230 V with 3 modes